

Specific&Performance

- Hygienic design, fulfill 3A requirements
- Range: from 0...4 kPa to 0-1 MPa
- Sensor fully welded
- Surface roughness of process connection Ra≤0.4μm

Application

- Food&Beverage
- Pharmeceautical machine
- Sanitary tank
- Bioengineering



Specification

Sensor technology	Pizoresistive		
Pressure Range	Min 4 kPa, Max 1 MPa		
Accuracy (25℃)	0.2%BFSL(typical), 0.5%BFSL(max)		
Zero thermal drift	≤0.02% of URL per ℃		
Span thermal drift	≤0.02% of URL per ℃		
Long term drift	0.04% of URL per year		
Turn down	10:1		
IP protection	IP67		
Temperature	Compensation temperature	Ambient temperature	Storage temperature
	-20-80℃	without LCD: -40-85℃ with LCD: -20-70℃	without LCD: -40-110℃ with LCD: -40-85℃
Output signal	4-20mA 2-wire, 4-20mA with HART protocol		
Supply voltage	10.5-55VDC(4-20mA) , 16.5-55VDC(with HART protocol)		
Load in Ω	RL≤ (Us-10.5V) / 21mA,		
Insulation resistance	>100MΩ 500VDC		
Porcess connection	Please refer ordering code		
Service life	10 millions load of cycles		
Weight (without any option)	≤10mS		
Influence of position	anywhere influence less than 400pa		
Consumption	≤500mW, (supply 24VDC, circle current 20.8mA)		
Electrical conetion	M12*1 4pins		
Process connection	Sanitary connection		

Sensor range (URL)

URL	Min range	Lower limit	Higher limit	Max static	" + "overpressure	"-"overpressure
40kPa	4kPa	-40kPa	40kPa	10MPa	10MPa	500kPa
250kPa	25kPa	-250kPa	250kPa	10MPa	10MPa	500kPa
1MPa	100kPa	-500kPa	1MPa	10MPa	10MPa	500kPa

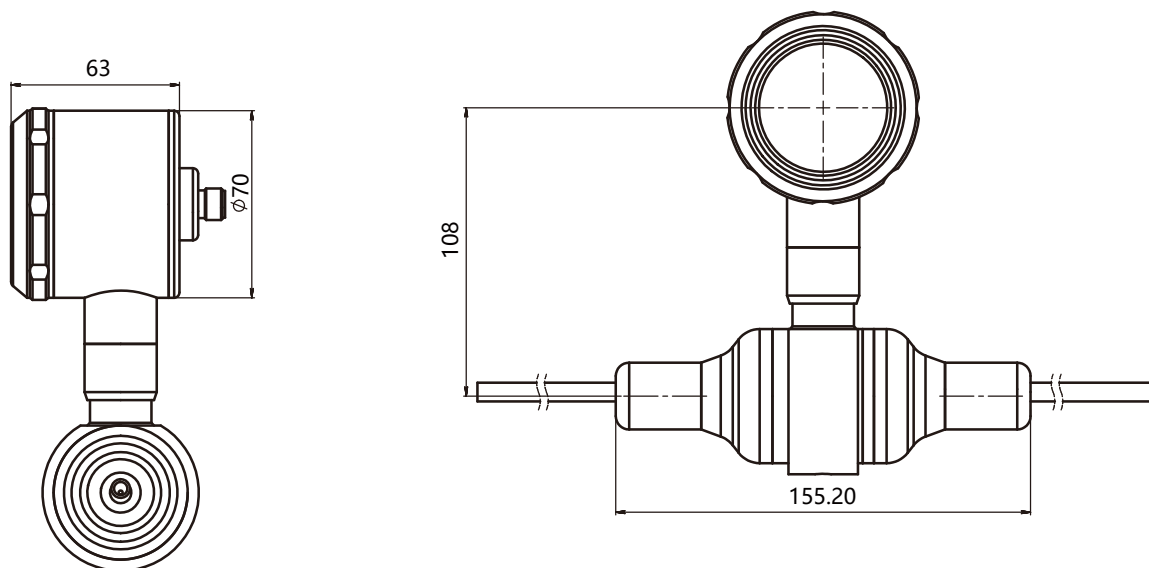
EMC data

Code	Testing item	Related standard	Data	Result
1	Radiated disturbance	GB/T 9254/CISPR22	30MHz-1GHz	Pass
2	Conducted disturbance	GB/T 9254/CISPR22	0.15MHz-30MHz	Pass
3	Electrostatic discharge(ESD)	GB/T 17626.2/IEC 61000-4-2	4kV(contact),8kV(air)	B ^②
4	Radio-frequency electromagnetic field immunity	GB/T 17626.3/IEC 61000-4-3	10V/m, 80MHz-1GHz	A ^①
5	Power-frequency magnetic fields immunity	GB/T 17626.8/IEC 61000-4-8	30A/m	A ^①
6	Electrical fast transients(EFT)	GB/T 17626.4/IEC 61000-4-4	2kV(5/50nS,100kHz)	B ^②
7	Surges	GB/T 17626.5/IEC 61000-4-5	1kV(L1-N),2kV(L1-PE)	B ^②
8	Radio-frequency magnetic fields immunity	GB/T 17626.6/IEC 61000-4-6	3V(150kHz-80MHz)	A ^①

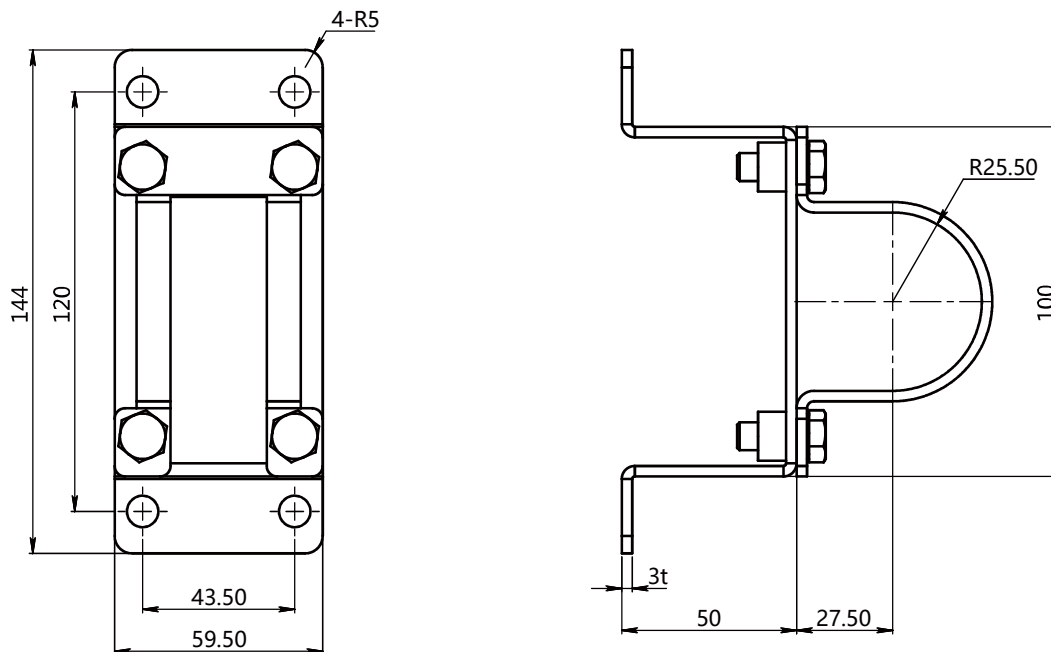
Notes: ①: A: During testing, normal performance within the specification limits

②: B: During testing, temporary degradation, or loss of function or performance which is self-recovering

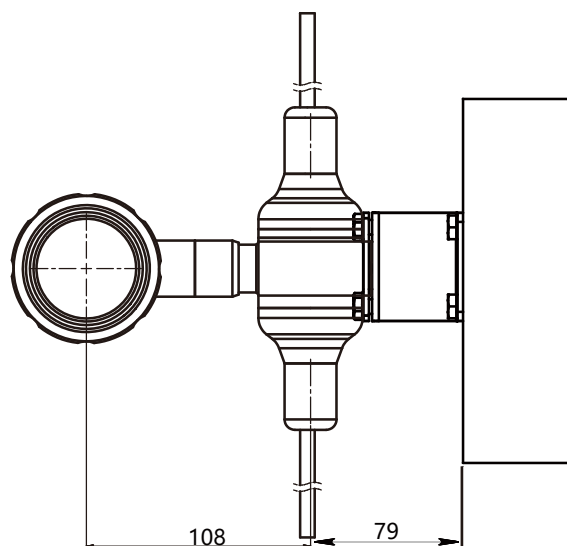
Dimensions (unit: mm)



Dimensions of mounting brackets (unit: mm)



Installation dimensions (Unit: mm)



LY48 series ordering code

	Code	Specification
1.	LY48	Series
		Type of pressure
2.	D	Differential pressure
		Pressure range
3.	XXXX	Please input your range(example: 0-10bar)
		Accuracy
4.	2	0.2%BFSL(typical), 0.5%BFSL(max)
		Display
5.	0	Without
	1	With LCD
		Output signal
6.	1	4-20mA
	2	4-20mA with HART protocol
		Type of mounting
7.	A	Bottom
	D	Back
		Filling oil
8.	B1	Standard (medium -45-205°C)
	B2	Neobee M-20 (medium -10-180°C)
	B3	High temperature (max 300°C)
		Capillary on "+" side
9.	0	Without
	1	304SS armored capillary, dia 3.5mm, length 1m
	2	304SS armored capillary, dia 3.5mm, length 2m
	Z	304SS armored capillary, dia 3.5mm, length 10m(max)
		Capillary on "-" side
	0	Without
	1	304SS armored capillary, dia 3.5mm, length 1m
	2	304SS armored capillary, dia 3.5mm, length 2m
	Z	304SS armored capillary, dia 3.5mm, length 10m(max)
		"+" side process connection
10.	1	1.5" Tri-clamp
	2	2" Tri-clamp
		"-" side process connection
11.	1	1.5" Tri-clamp
	2	2" Tri-clamp
		Option
12.	HC	Hastelloy C276
	EP	Electropolishing wetted parts
	OX	Oxygen clean

LY48 series accessories

1.		M12*1 4pins cable			
		1m length	2m length	5m length	
		Straigh	1101	1102	1105
		90°angle	2201	2202	2205